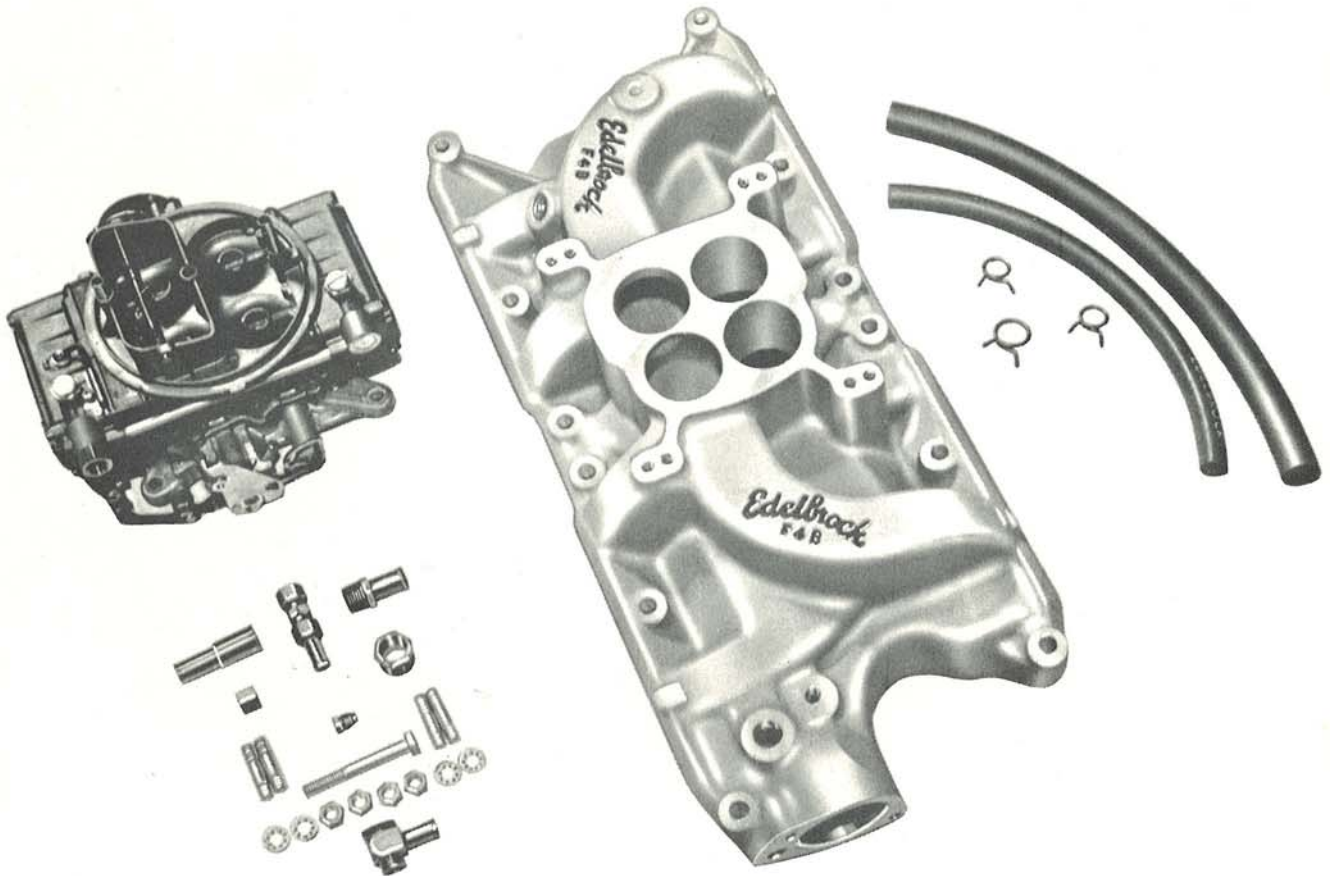




9830 WEST PICO BOULEVARD
LOS ANGELES, CALIFORNIA 90035
TELEPHONE: (213) 276-4161



LAT 1

SUNBEAM TIGER SUPER INDUCTION KIT

This Kit designed and personally engineered by VIC EDELBROCK on behalf of INTERNATIONAL AUTOMOBILES INCORPORATED.

CONSISTS OF: -

Edelbrock Hi-Riser Single Quad Manifold, providing the ultimate in performance together with:

Hi-Performance 4 barrel Holley Carburetor, with fitting pieces, gaskets and easy to follow fitting instructions.

Vic Edelbrock's reaction after testing SUNBEAM TIGER, "you have got to drive it to believe it".

INFORMATION: Hi-riser-sweep around port design - balanced 180° firing order - exhaust heated.

We have received many complimentary remarks on this kit from Tiger owners especially in horsepower increase and general all-round performance through the gears. A fast selling option unconditionally guaranteed. Completely engineered to accommodate smog device.



9830 WEST PICO BOULEVARD
LOS ANGELES, CALIFORNIA 90035
TELEPHONE: (213) 276-4161



LAT 4

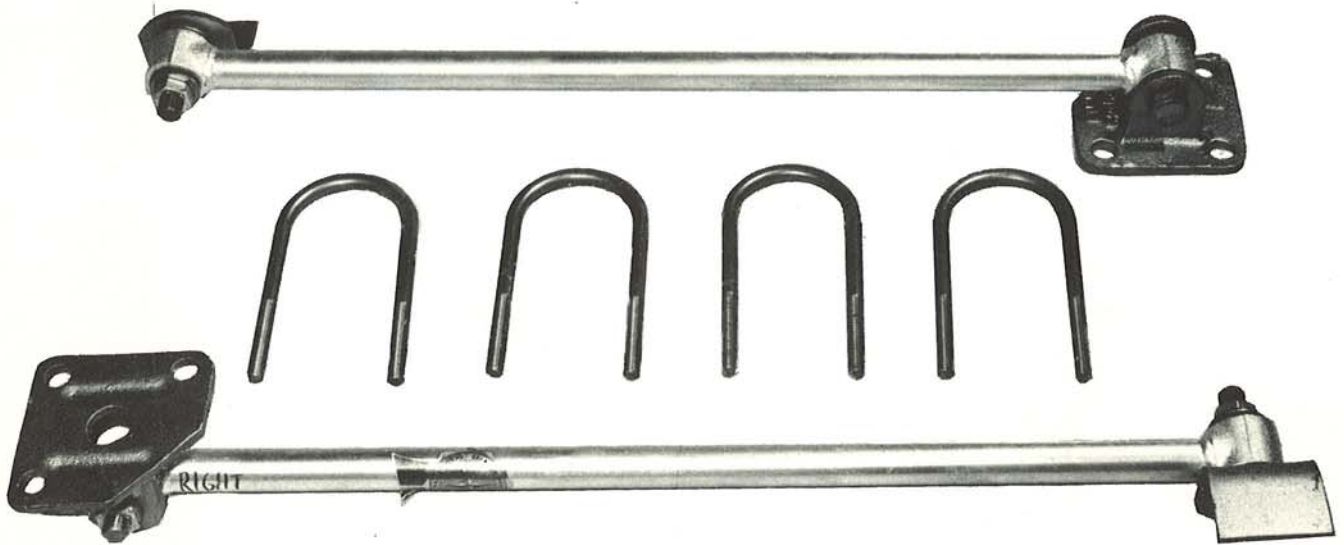
CAST ALUMINUM TIGER OIL PAN

Kit includes cast aluminum oil pan, two gaskets, two seals, and necessary bolts for mounting.

BENEFITS: Pan with polished fins provides cooling and extra oil capacity (6.5 quarts), prolonging engine life. Pan adds a customized effect to an automobile.



9830 WEST PICO BOULEVARD
LOS ANGELES, CALIFORNIA 90035
TELEPHONE: (213) 276-4161



LAT 5

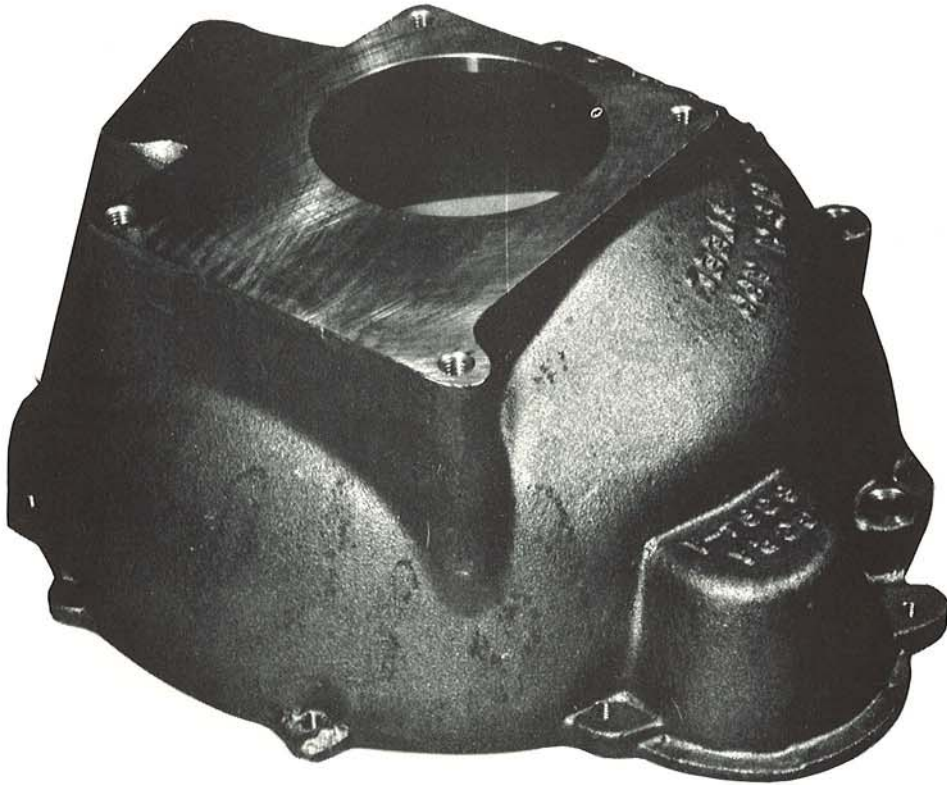
SUNBEAM TIGER TRACTION MASTERS

Made and designed specifically for the TIGER by TRACTION MASTER, on behalf of INTERNATIONAL AUTOMOBILES, INC. Greatly improves traction. Stops rear wheel "hop" and "spin". Takes the whip out of the rear end, in sudden starts and stops. This option is a MUST on all TIGERS - gives longer life to differential, tires, springing. An excellent safety option.

A MUST FOR ALL COMPETITION WORK.



9830 WEST PICO BOULEVARD
LOS ANGELES, CALIFORNIA 90035
TELEPHONE: (213) 276-4161



LAT 7

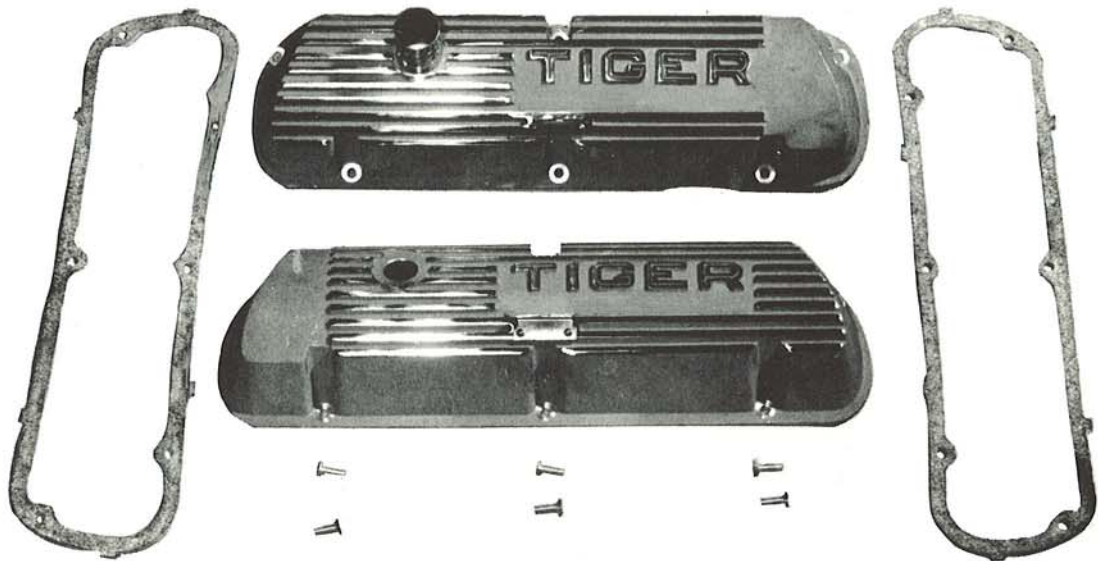
SCATTER SHIELD

Made especially to protect occupants when competition driving at High Speeds. Replaces aluminum cover.
Made of High Carbon Steel.

AN EXCELLENT SAFETY MEASURE.



9830 WEST PICO BOULEVARD
LOS ANGELES, CALIFORNIA 90035
TELEPHONE: (213) 276-4161



LAT 8

SUNBEAM TIGER VALVE COVER KIT

SUNBEAM TIGER VALVE COVER KIT:

- Made of aluminum with polished ribs.
- Puts the finishing touch to a custom engine.
- Aids in heat dissipation.
- Reduces valve noise.
- Very attractive.
- Comes complete with gaskets and cadmium plated bolts.



9830 WEST PICO BOULEVARD
LOS ANGELES, CALIFORNIA 90035
TELEPHONE: (213) 276-4161



LAT 10 SUNBEAM TIGER KEY CHAIN

LAT 11 SUNBEAM TIGER LAPEL PIN

LAT 12 SUNBEAM TIGER ASHTRAY

LAT 13 SUNBEAM TIGER CIGARETTE LIGHTER

LAT 16 SUNBEAM TIGER DECAL – TWO COLORS



9830 WEST PICO BOULEVARD
LOS ANGELES, CALIFORNIA 90035
TELEPHONE: (213) 276-4161



LAT 17 MEN'S SUNBEAM TIGER WHITE T SHIRTS

Bearing two-colored Tiger logo front. Finest quality heavyweight fully combed yarn – taped seams – will retain their shape through many washings – made especially to our high standards of quality in the U.S.A. Sizes: Small, medium, large, and extra large.

LAT 18 SUNBEAM TIGER RALLY JACKET

Color: Oyster – with Sunbeam Tiger badge. Finest poplin. $\frac{3}{4}$ " braid in yellow and black down front. Full front heavy-duty zipper – large slash pockets – stand-up two button collar. OVER 3,000 of these JACKETS have been SOLD! Adult sizes only – Small, medium, large, and extra large.

LAT 48 SUNBEAM TIGER EMBROIDERED BADGE

Small, beautifully embroidered black and orange Sunbeam Tiger badge for jackets, etc.

LAT 63 BOY'S SUNBEAM TIGER T SHIRTS

Boy's white Tiger T shirts, same as LAT 17 (above) but smaller. Please state size.

LAT 67 MEN'S SUNBEAM TIGER RAGLAN SWEAT SHIRTS

Men's heavy, full cut, long sleeve, Raglan Sweat Shirts. Best quality. Flocked electro-nylon Tiger emblem on front. Very popular. Colors: Pale blue, British racing green and Red. Sizes: Small, medium and large.

LAT 68 BOY'S SUNBEAM TIGER RAGLAN SWEAT SHIRTS

Boy's Raglan Sweat Shirts, same as LAT 67 (above). Sizes: Small, medium and large.



9830 WEST PICO BOULEVARD
LOS ANGELES, CALIFORNIA 90035
TELEPHONE: (213) 276-4161



LAT 20

HI-PERFORMANCE CAMSHAFT KIT

Kit comprises of:

- Hi-Performance Camshaft
- 16 Solid Lifters
- 16 Valve Springs (Heavy Duty)
- 1 Timing Cover Gasket
- 1 Intake Gasket Kit
- 1 Dual Point Heavy Duty Distributor

This Kit fits all 260 and 289 Ford Engines. Cam design gives grind mild enough for use on street but provides excellent performance for competition events – a Double Duty Cam.

SPECIFICATIONS:

Figures reflect actual valve movement, *Not* Cam Lob Readings. (Timing is measured at the valve with 0.001" lift.)

- Intake opens 24° BTDC
- Intake closes 68° ABDC
- Intake duration 272°
- Exhaust opens 72° BBDC
- Exhaust closes 19° ATDC
- Exhaust duration 272°
- Valve lift 0.450"
- Intake tappet clearance (hot) 0.018"
- Exhaust tappet clearance (hot) 0.018"



9830 WEST PICO BOULEVARD
LOS ANGELES, CALIFORNIA 90035
TELEPHONE: (213) 276-4161



LAT 22

SUNBEAM TIGER CALIBRATED IMPULSE TACHOMETER

SPECIAL CALIBRATED IMPULSE TACHOMETER:

- 7000 R.P.M.
- Color lined for instant rev check.
- Fits in normal aperture without modification.
- Matches Sunbeam Tiger instrumentation.
- For custom look, we strongly recommend installing when hi-performance options are added.



9830 WEST PICO BOULEVARD
LOS ANGELES, CALIFORNIA 90035
TELEPHONE: (213) 276-4161



LAT 50

SUNBEAM TIGER LIMITED SLIP DIFFERENTIAL

Particularly suited to competition – operates automatically by transmitting power to rear wheels in equal proportions to resistance. Excellent for normal driving, giving faster get away and little loss of power in the curves. MADE by the original makers of the factory fitted differential.

To be used in conjunction with:

LAT 51	Crown Wheel and Pinion	3.07 Ratio
LAT 52	Crown Wheel and Pinion	3.31 Ratio
LAT 53	Crown Wheel and Pinion	3.54 Ratio
LAT 54	Crown Wheel and Pinion	3.73 Ratio

Four different ratios to give owner choice and to fit the needs for either normal road driving or competition events.



9830 WEST PICO BOULEVARD
LOS ANGELES, CALIFORNIA 90035
TELEPHONE: (213) 276-4161



LAT 60

SUNBEAM TIGER HEAVY DUTY CLUTCH ASSEMBLY

It is advisable to fit this Heavy Duty Clutch Assembly when High Performance Engine Options are fitted.

Takes care of the added torque.

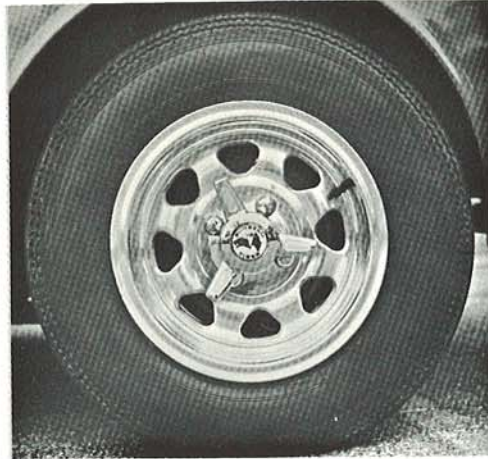
Results in longer life, less maintenance.

Provides maximum performance under heavy competition work.

Virtually eliminates slippage.



9830 WEST PICO BOULEVARD
LOS ANGELES, CALIFORNIA 90035
TELEPHONE: (213) 276-4161



LAT 70

POLISHED ALUMINUM WHEELS

We take much pride in offering immediately from our stocks, A COMPLETELY NEW DESIGNED, HIGHLY POLISHED ALUMINUM WHEEL, for both THE SUNBEAM TIGER and THE SUNBEAM ALPINE.

This wheel, made from ONE PIECE CENTRIFUGALLY CAST 356 ALUMINUM ALLOY, to the exacting specifications of AIR CRAFT WHEELS, allows for fitment of over-size tires, and, due to its excellent finish will accept tubeless tires without the need for sealing treatment.

Comes complete with simulated "knock on" hubs, decal and wheel studs. Easily balanced by using the new adhesive wheel balancing weights.

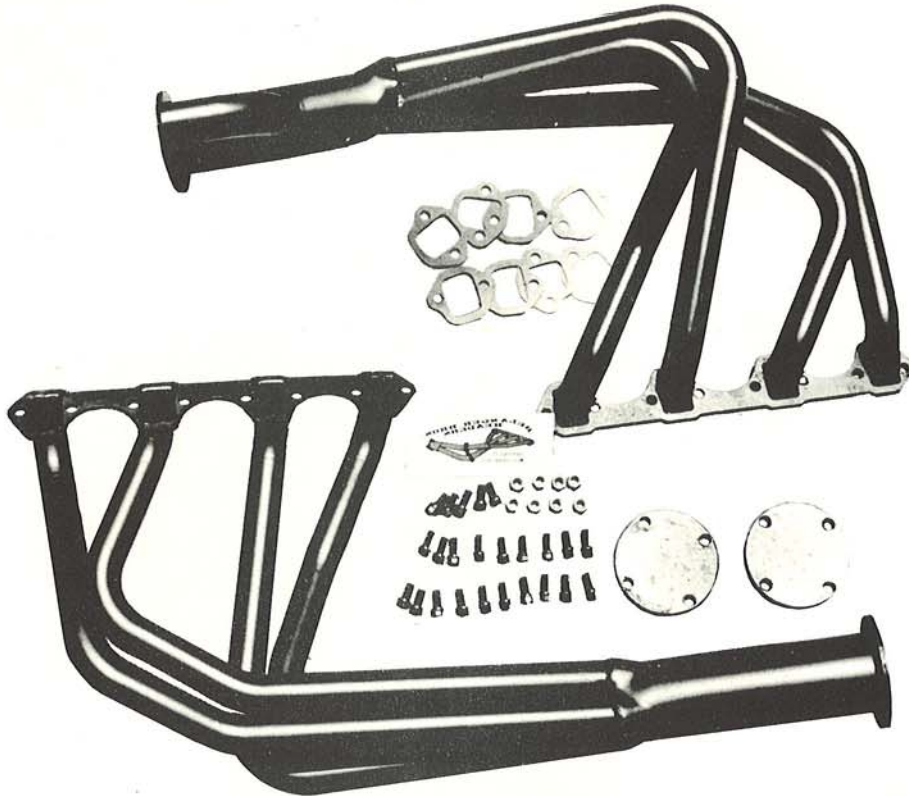
Each wheel boxed separately, complete with fitting instructions.

Size: 5.50 X 13

List price: \$48.00 each, complete as shown.



9830 WEST PICO BOULEVARD
LOS ANGELES, CALIFORNIA 90035
TELEPHONE: (213) 276-4161



LAT 73

NEW COMPETITION EXHAUST HEADERS FOR SUNBEAM TIGER

A completely new ENGINEERED SET OF COMPETITION EXTRACTION TYPE, EQUAL LENGTH HEADERS have been especially designed by JERRY BELLANGER for INTERNATIONAL AUTOMOBILES INC.

STRIP AND DYNO TESTED, WRINKLE FREE, MANDRIL BENT, AND INDIVIDUALLY "JIG" WELDED. THIS SET IS **NOT** "MASS" PRODUCED.

THE TECHNIQUE OF MANDRIL SHAPING DOES AWAY WITH RESTRICTIONS AND ALLOWS COMPLETE FREE FLOW OF EXHAUST GASES.

MADE OF THE FINEST MATERIALS AND WORKMANSHIP - THIS HEADER SET IS COMPLETELY GUARANTEED. REQUIRES NO MODIFICATION TO FIT.

DESIGNED primarily for all out MAXIMUM PERFORMANCE. They will vastly improve even an otherwise stock engined Tiger.

Showing only a minor sound increase, when used on stock TIGERS with full road muffler, the noise is not prohibitive or objectionable. YET FOR COMPETITION USE THE COLLECTORS CAN BE OPENED FOR MAXIMUM PERFORMANCE BY MERELY UNBOLTING THE FOUR (4) BOLTS ON EACH COLLECTOR.

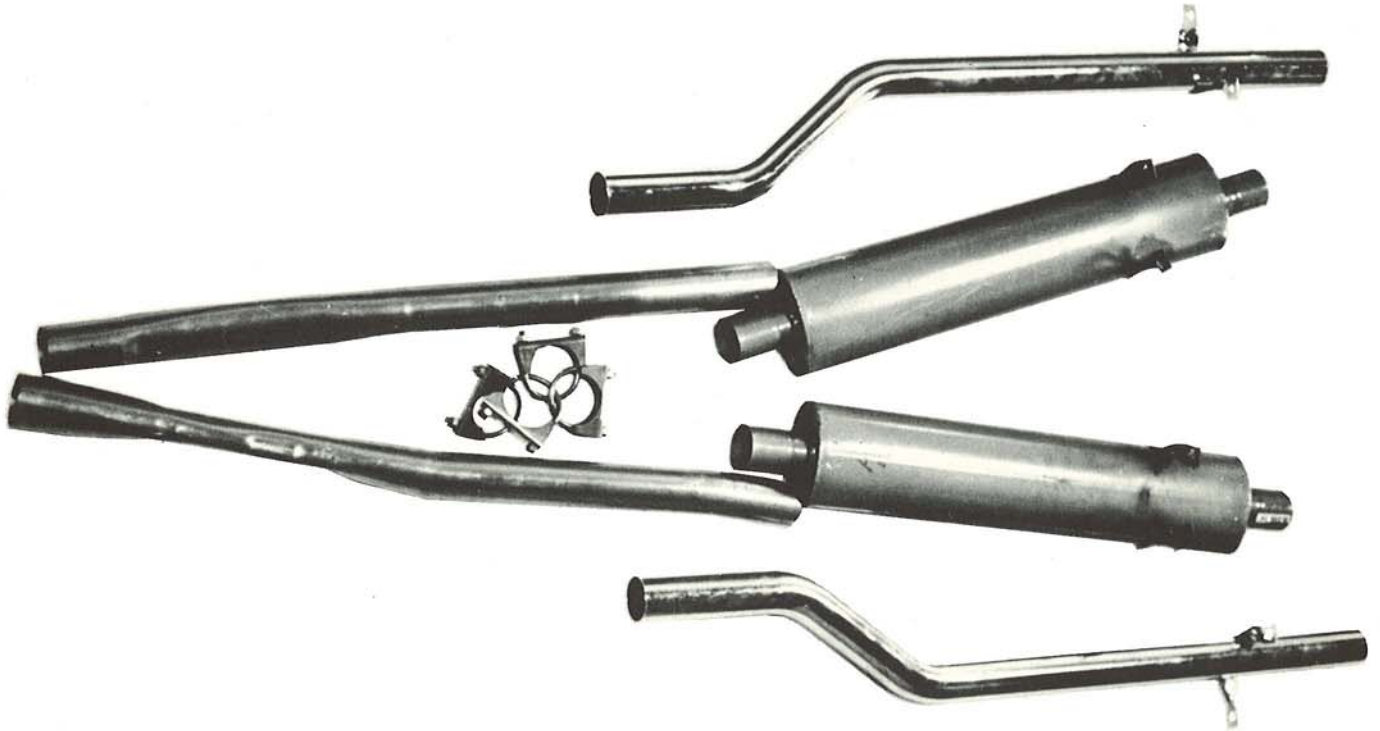
The standard road exhaust system is left in place and need not be removed for competition use. ENGINE SPARK PLUGS accessibility is actually improved when HEADERS are fitted and road clearance is not impaired.

FULL fitting instructions included with Kit.

Also see new 2 INCH EXHAUST SYSTEM, PART NUMBER **LAT 74** now available for normal muffler and exhaust replacement.



9830 WEST PICO BOULEVARD
LOS ANGELES, CALIFORNIA 90035
TELEPHONE: (213) 276-4161



LAT 74

NEW 2" EXHAUST SYSTEM FOR SUNBEAM TIGER

A completely NEW EXHAUST SYSTEM HAS BEEN DESIGNED for the Sunbeam Tiger by JERRY BELLANGER especially for INTERNATIONAL AUTOMOBILES INC.

MADE TO replace the standard factory fitted exhaust system, when needed, or to be used with LAT 73 NEW HEADER SET.

A full 2" System throughout, this twin exhaust system is made to increase road performance, as well as fuel economy. STRAIGHT THROUGH – LOW RESTRICTION, LARGE DIAMETER SYSTEM for MAXIMUM road performance. Mufflers and Tail Pipes are replaceable without having to change entire system. The Tail Pipe and fittings are heavily chrome plated to guard against rust and corrosion, besides adding a good appearance, and eliminates the need for chrome plated tips. FULLY LEGAL IN ALL STATES – NO EXCESSIVE NOISE – NO CHANGES ARE REQUIRED IN CHASSIS OR BODY – UTILIZES STANDARD factory mountings.

FULLY GUARANTEED – AN EXCELLENT STANDARD REPLACEMENT SYSTEM AT A VERY REALISTIC COST.



9830 WEST PICO BOULEVARD
LOS ANGELES, CALIFORNIA 90035
TELEPHONE: (213) 276-4161



LAT 76 REAR SHOCK ABSORBERS

LAT 77 FRONT SHOCK ABSORBERS

**SUNBEAM TIGER "TRACTION MASTER"
"HI-SPEED CALIBRATION" SHOCK ABSORBERS**

The application of these "Hi-Speed SPECIALLY CALIBRATED SHOCK ABSORBERS" is particularly desirable for the individual who requires exceptional STABILITY and HANDLING at above normal speeds, PLUS FIRM CORNERING and general over all driving comfort.

The ROAD and SPORTS CAR driver with high powered sports car, or MODIFIED STOCK CAR, or the SPORTS CAR driver, who is interested in occasional trips to the DRAG STRIP will really appreciate this HIGH SPEED unit.

Positive ride control over all roads under all conditions.

A SMOOTHER, SAFER, STEADIER RIDE.

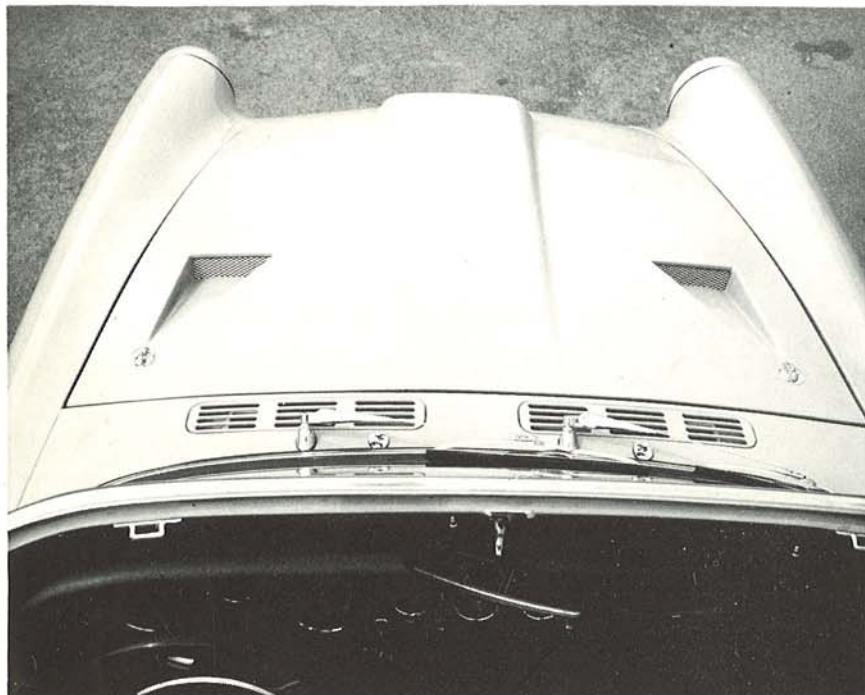
LONGER TIRE LIFE.

AN EXCELLENT OPTION when used with LAT 5 TRACTION MASTER BARS.

AN UNCONDITIONAL GUARANTEE FOR 50,000 MILES.



9830 WEST PICO BOULEVARD
LOS ANGELES, CALIFORNIA 90035
TELEPHONE: (213) 276-4161



LAT 79

FIBERGLAS ENGINE HOOD

Lightweight FIBERGLAS ENGINE HOOD for both Sunbeam Tiger and Alpine. Made to very exacting standards, of finest quality materials and fully warranted. Designed to overcome the "build-up" of heat in the engine compartment. Provides a "ram air" effect over engine and carburetor. Heat exhausters efficiently relieve hot air by allowing immediate escape. Engine will perform much cooler in hot climate or in competition.

Incorporates two specially designed "hold down" custom made clamps to avoid "fluttering" at high speeds. Tested continually under desert heat conditions for maximum heat dissipation. Easily connected to existing fittings as normal hood would be fitted. No modifications necessary. Custom designed to add good looks to car, plus the all important function for which it was designed.

Block-off plates for winter and wet weather driving provided at extra cost. See further information bulletin in this folder.