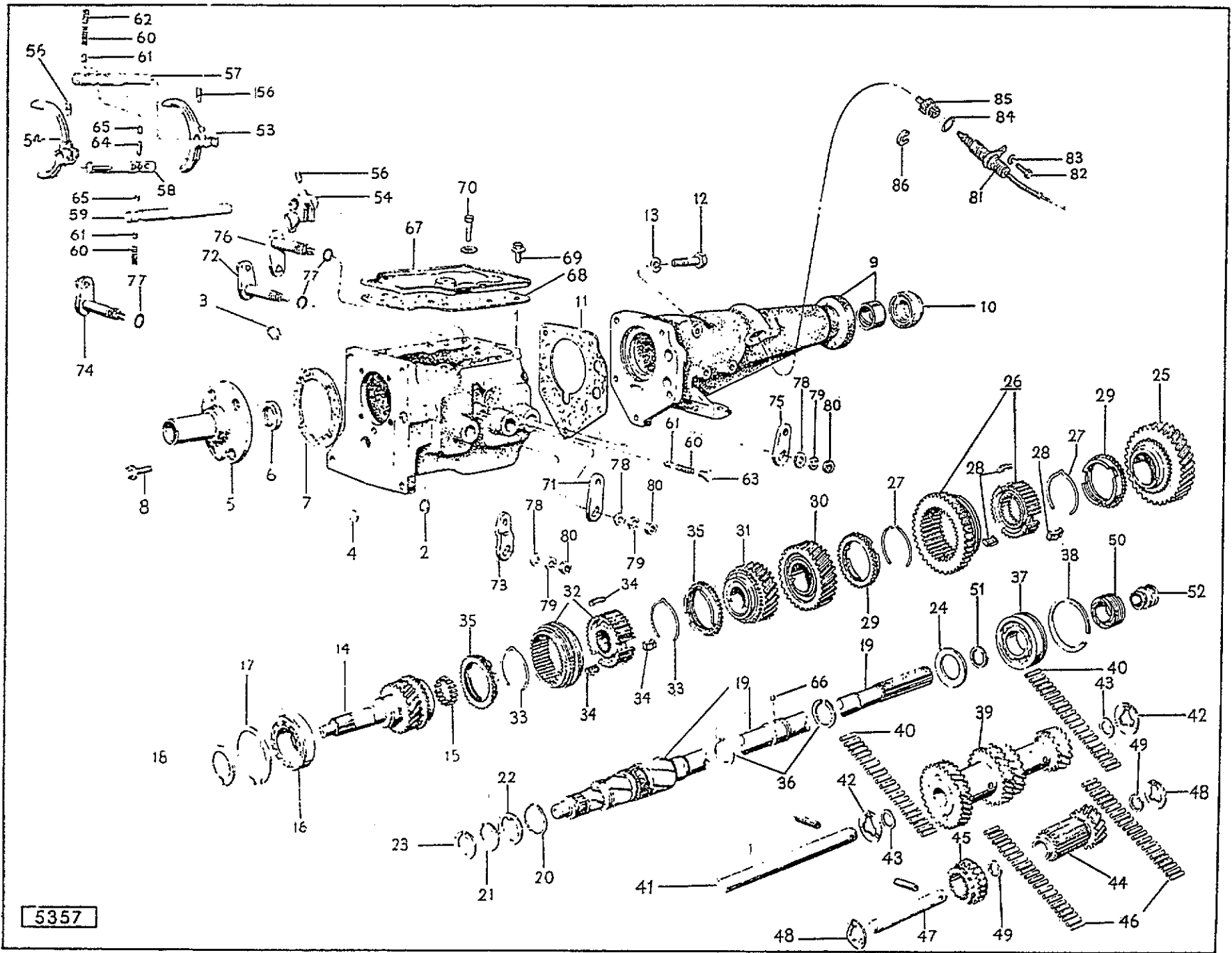


## SECTION GF

# GEARBOX (Transmission) UNIT

NOTE.—This Gearbox (Transmission) Unit is fitted from  
Chassis No. B9470057.

GEARBOX (Transmission) UNIT

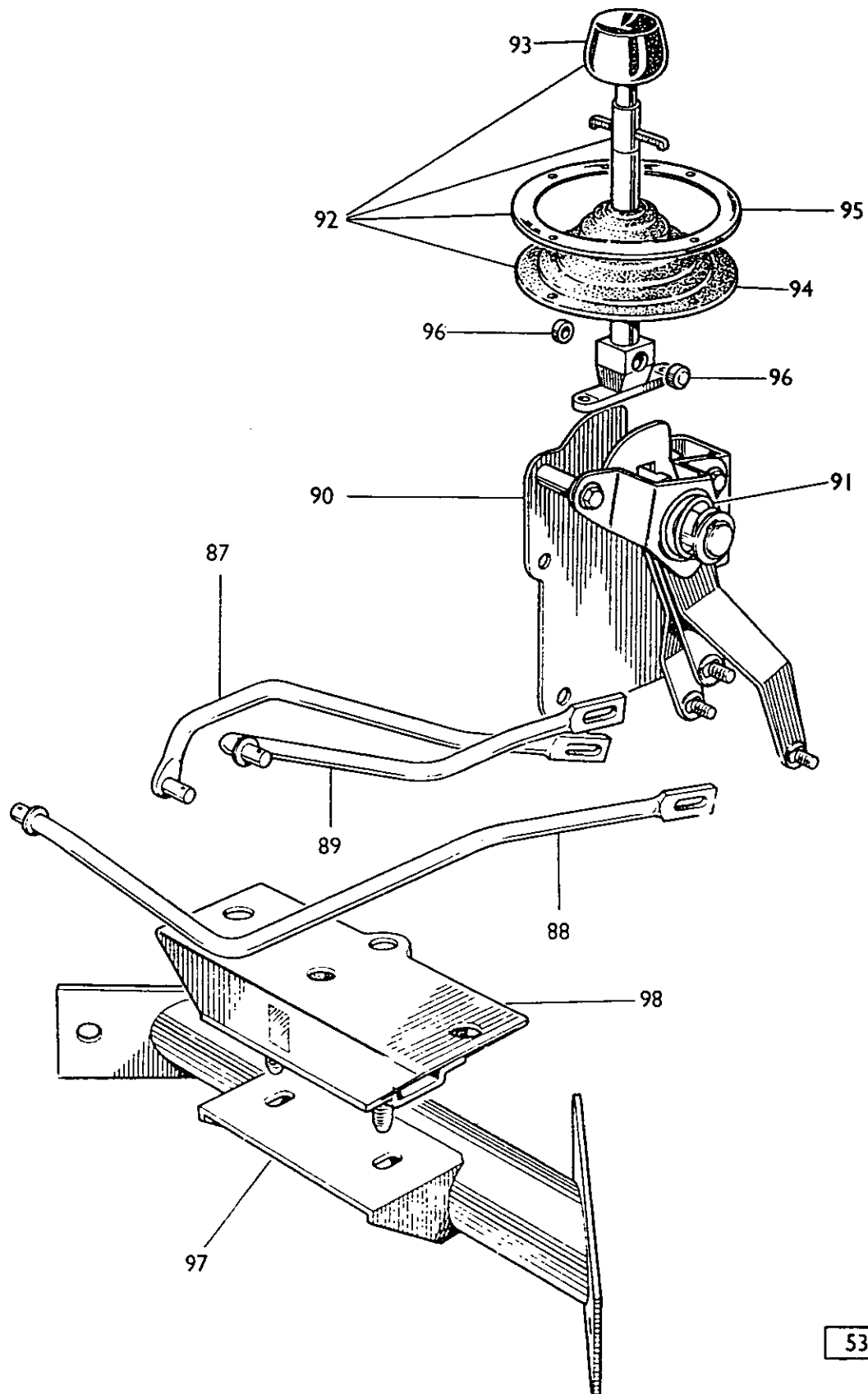


5357

PLATE A - SECTION GF

2nd Issue

# GEARBOX (Transmission) UNIT



5366

PLATE B - SECTION GF

GEARBOX (Transmission) UNIT

Plate Ref.	Rootes Part Number	Ford Part Number	DESCRIPTION	No. per Veh.	REMARKS
	6100004	C40R-7003-B	GEARBOX (Transmission) UNIT ... ..	1	
A1	6100218	C4AZ-7005-B	Casing ... ..	1	
A2	6100586	373719-S	Drain plug, 1/4" ... ..	1	
A3	6100585	358035-S	Filler plug, 1/4" ... ..	1	
A4	6100579	74112-S	Welsh plug, 1/8" ... ..	1	
A5	6100438	C4AZ-7050-A	RETAINER—Input shaft—Gear bearing ... ..	1	
A6	6100267	B7AZ-7A283-A	Oil seal—Input shaft ... ..	1	
A7	6100268	C4AZ-7051-A	Gasket—Retainer ... ..	1	
A8	6100582	350673-S	Bolt, 1/8" x 1/2" Hex.—Retainer to casing ... ..	4	
A9	6100263	C40Z-7A039-A	Extension assembly ... ..	1	
A10	6100264	21C-7052-A	Oil seal—Extension ... ..	1	
A11	6100265	C4AZ-7086-B	Gasket ... ..	1	
A12	6100572	20430-S	Bolt, 1/8" x 1 1/4" hex. } Extension to casing ... ..	5	
A13	6100581	34808-S	Washer, 1/8" lock } ... ..	5	
A14	6100256	C40Z-7017-A	INPUT (Primary) SHAFT ... ..	1	
A15	6100257	C3AZ-7118-A	Rollers } Input (Primary) ... ..	15	
A16	6100490	8D-7025	Bearing } shaft ... ..	1	
A17	6100258	C4AZ-7026-A	Snap ring } Bearing ... ..	1	
A18	6100259	C4AZ-7064-A	Snap ring } ... ..	1	
A19	6100235	C40Z-7061-A	MAINSHAFT ... ..	1	
A20	6100241	C4AZ-7064-R	Snap ring—Synchro hub ... ..	1	
A21	6100488	379233-S	Retaining ring ... ..	1	
A22	6100243	C3AZ-7071-A	Thrust washer } ... ..	1	
A23	6100259	C4AZ-7064-A	Snap ring } Mainshaft ... ..	1	
A24	6100449	C4AZ-7A385-A	Thrust washer } ... ..	1	
A25	6100236	C4AZ-7A029-D	1st SPEED WHEEL (Gear) ... ..	1	
A26	6100237	C4AZ-7124-F	Synchronizer assembly—1st and 2nd speed ... ..	1	
A27	6100239	C3AZ-7109-D	Spring—Retainer ... ..	2	
A28	6100238	C4AZ-7A044-A	Insert—Synchro hub ... ..	3	
A29	6100240	C4AZ-7107-D	Baulking ring ... ..	2	
A30	6100242	C4AZ-7102-D	2nd SPEED WHEEL (Gear) ... ..	1	
A31	6100244	C4AZ-7B340-B	3rd SPEED WHEEL (Gear) ... ..	1	
A32	6100245	C4AZ-7124-G	Synchronizer assembly—3rd and 4th speed ... ..	1	
A33	6100239	C3AZ-7109-D	Spring—Retainer ... ..	2	
A34	6100246	C3AZ-7A044-A	Insert—Intermediate and high synchronizer ... ..	3	
A35	6100240	C4AZ-7107-D	Baulking ring ... ..	2	
A36	6100489	8A-7064	Snap ring—Mainshaft ... ..	3	
A37	6100491	8D-7065	Bearing—Rear ... ..	1	
A38	6100492	51A-7026	Retaining snap ring ... ..	1	
A39	6100230	C4AZ-7113-A	LAYSHAFT CLUSTER (Countershaft gears) ... ..	1	
A40	6100231	C4AZ-7121-A	Rollers—Layshaft ... ..	42	
A41	6100233	C4AZ-7111-A	Layshaft spindle ... ..	1	
A42	6100232	C4AZ-7119-A	Thrust washer ... } Layshaft ... ..	2	
A43	6100575	378559-S	Washer, 3/4" plain } (Countershaft) ... ..	2	
A44	6100225	C4AZ-7141-A	REVERSE IDLER GEAR ... ..	1	
A45	6100226	C4AZ-7D223-B	Reverse idler sliding gear ... ..	1	
A46	6100227	C4AZ-7D271-A	Rollers—Idler shaft ... ..	44	
A47	6100229	C4AZ-7140-A	Shaft—Reverse idler ... ..	1	
A48	6100228	C4AZ-7149-A	Thrust washer } Reverse ... ..	2	
A49	6100574	351529-S	Washer, 3/4" plain } idler gear ... ..	2	
A50	6100261	B7C-17285-A	SPEEDOMETER DRIVING WHEEL (Gear) ... ..	1	
A51	6100493	372401-S	Snap ring, 1 1/4" ... ..	1	
A52	6100262	B9AP-7A011-A	Oil seal ... ..	1	

GEARBOX (Transmission) UNIT

Plate Ref.	Rootes Part Number	Ford Part Number	DESCRIPTION	No. per Veh.	REMARKS
<b>GEARBOX (Transmission) UNIT—continued</b>					
A53	6100248	C4AZ-7230-B	1st and 2nd selector fork ... ..	1	
A54	6100249	C4AZ-7230-A	3rd and 4th selector fork ... ..	1	
A55	6100250	C4AZ-7231-A	Reverse selector fork ... ..	1	
A56	6100578	377886-S	Setscrew—Locking, $\frac{1}{8}$ " $\times$ .92"—Selector forks ... ..	2	
A57	6100251	C4AZ-7240-E	1st and 2nd SELECTOR SHAFT ... ..	1	
A58	6100252	C4AZ-7241-B	3rd and 4th SELECTOR SHAFT ... ..	1	
A59	6100253	C4AZ-7240-F	REVERSE SELECTOR SHAFT ... ..	1	
A60	6100254	C3AZ-7234-A	Shifter interlock spring ... ..	3	
A61	6100255	C3AZ-7C316-B	Shifter interlock pin ... ..	3	
A62	6100576	377885-S	Interlock screw, $\frac{1}{8}$ " $\times$ .88" ... ..	1	
A63	6100577	378206-S	Bolt, $\frac{1}{4}$ " $\times$ .38" Hex.—Gear shift interlock ... ..	1	
A64	6100260	C4AZ-7235-A	Interlock pin—Selector ... ..	1	
A65	6100273	C4AZ-7C316-A	Pin—Gear shift interlock rod ... ..	2	
A66	9187006	353351-S	Ball, $\frac{1}{4}$ " dia. ... ..	1	
A67	6100270	C4AZ-7222-A	TOP COVER ... ..	1	
A68	6100269	C4AZ-7223-A	Gasket ... ..	1	
A69	6100583	372110-S	Screw, $\frac{1}{8}$ " $\times$ $\frac{1}{4}$ " Hex. } Cover to casing ... ..	8	
A70	6100584	359441-S100	Screw, $\frac{1}{8}$ " $\times$ 1" Hex. } ... ..	2	
A71	6100271	C4AZ-7290-B	1st and 2nd Gear Shift lever ... ..	1	
A72	6100222	C3AZ-7C124-A	Finger assembly—Shift control (1st and 2nd) ... ..	1	
A73	6100272	C4AZ-7285-A	3rd and 4th Gear Shift lever ... ..	1	
A74	6100222	C3AZ-7C124-A	Finger assembly—Shift control (3rd and 4th) ... ..	1	
A75	6100274	C4AZ-7290-A	Reverse Gear Shift lever ... ..	1	
A76	6100223	C4AZ-7C124-A	Finger assembly—Reverse shift control ... ..	1	
A77	6100224	1A-7288-A	Oil seal—Selector shaft ... ..	3	
A78	6100588	44727-S	Washer, $\frac{1}{4}$ " plain ... ..	3	
A79	6100566	34807-S	Lock washer, $\frac{1}{8}$ " } Gear shift levers ... ..	3	
A80	6100589	33800-S	Nut, $\frac{1}{4}$ " Hex. ... ..	3	
	6100572	20430-S8	Bolt, $\frac{1}{4}$ " $\times$ $1\frac{1}{4}$ " Hex. ... ..	4	
	6100581	34808-S7	Lockwasher $\frac{1}{8}$ " ... ..	4	
	1229844		SPEEDOMETER DRIVE CABLE ... ..	1	} R.H.D.
	5043561		Inner cable—Speedo drive ... ..	1	
A81	6100013	C4JZ-17260-A	SPEEDOMETER DRIVE CABLE ... ..	1	} L.H.D.
A82	6100563	20324-S8	Bolt, $\frac{1}{8}$ " $\times$ .80" Hex. } Cable to ... ..	1	
A83	9660161	34805-S8	Lockwasher, $\frac{1}{8}$ " ... } gearbox ... ..	1	
	1229845		Adaptor } ... ..	1	} R.H.D.
	9107040		"O" ring } Speedometer cable ... ..	1	
	9122252		Sleeve ... ..	1	
A84	6100014	87036-S94	Seal—Speedometer cable ... ..	1	} L.H.D.
A85	6100504	C30A-17271-A	SPEEDOMETER DRIVING PINION (15 Teeth) ... ..	1	
A86	6100015	C1DD-17292-A	Retainer—Pinion to cable ... ..	1	

GEARBOX (Transmission) UNIT

Plate Ref.	Rootes Part Number	Ford Part Number	DESCRIPTION	No. per Veh.	REMARKS	
<b>GEAR SHIFT MECHANISM</b>						
B87	6100010	C2AA-7328-C	Rod—1st and 2nd gear shift	1	Up to Chassis No. B9470056	
B88	6100011	C2AA-7326-C	Rod—3rd and 4th gear shift	1		
B89	6100009	C2AA-7B112-A	Rod—Reverse gear shift	1		
B90	6100052	C3AA-7400-E	Control assembly—Gear shift	1		
	6100592	C4AZ-7328-C	Rod—1st and 2nd gear shift	1		
		C4AZ-7326-E	Rod—3rd and 4th gear shift	1		
		C4AZ-7B112-A	Rod—Reverse gear shift	1		
		C4AZ-7400-D	Control assembly—Gear shift	1		
		355385-S8	Bolt and lockwasher assembly, $\frac{1}{8}$ " x $\frac{1}{4}$ "—Control to gearbox (Transmission) unit	3		
B91	6100018	C2AZ-7208-A	Spring—Trunnion gear shift	2		From Chassis No. B9470057
	6100663	C4JZ-7202-C	Lever c/w grommet—Gearshift, R.H.D.	1		
B92	6100016	C4JZ-7202-A	Lever c/w grommet—Gearshift, L.H.D.	1		
B93	6100699	C2AZ-7213-E	Knob—Gearshift lever	1		
	6100700	C2AZ-7C404-B	Locknut—Knob	1		
B94	6100701	C2AZ-7277-G	Grommet—Gearshift lever	1		
B95	6100019	C2AZ-7262-A	Chrome ring—Finisher	1		
	6100590	42760-S8	Bolt and lock washer assembly, $\frac{1}{8}$ " x $\frac{1}{4}$ "—Lever to control assembly	2		
B96	6100017	C2AZ-7B125-A	Trunnion—Gear shift	2		
	6100591	52369-S13	Tapping screw—Oval head	4		
<b>REAR MOUNTINGS</b>						
B97	1224687		CROSS TUBE ASSEMBLY	1	Up to B9470056	
	1224885		CROSS TUBE ASSEMBLY	1		From B9470057
	19106051		Screw, $\frac{3}{8}$ " UNF. x $\frac{1}{2}$ "	4		
	2057108		Washer, $\frac{3}{8}$ " plain	4		
	9660242		Washer $\frac{3}{8}$ " spring...	4		
B98	6100048	C1AA-6068-A	Insulator	4	Up to Chassis No. B9470056	
	6100363	C0AA-6070-A	Plate—Rear support	4		
	6100558	C0AA-6054-A	Retainer—Engine support	4		
	6100559	C4ZA-6068-A	Insulator—Rear mounting	1		
	6100560	372821-S8	Bolt, $\frac{1}{2}$ " x 1-12" Hex.	2		
	9067048	34784-S7	Lockwasher, $\frac{1}{2}$ "	2		
		44732-S8	Lockwasher, $\frac{1}{8}$ "	2		
		55826-S8	Nut, $\frac{1}{8}$ " lock	2		
			Washer, $\frac{1}{8}$ " plain	2		
			Insulator to gearbox	2		