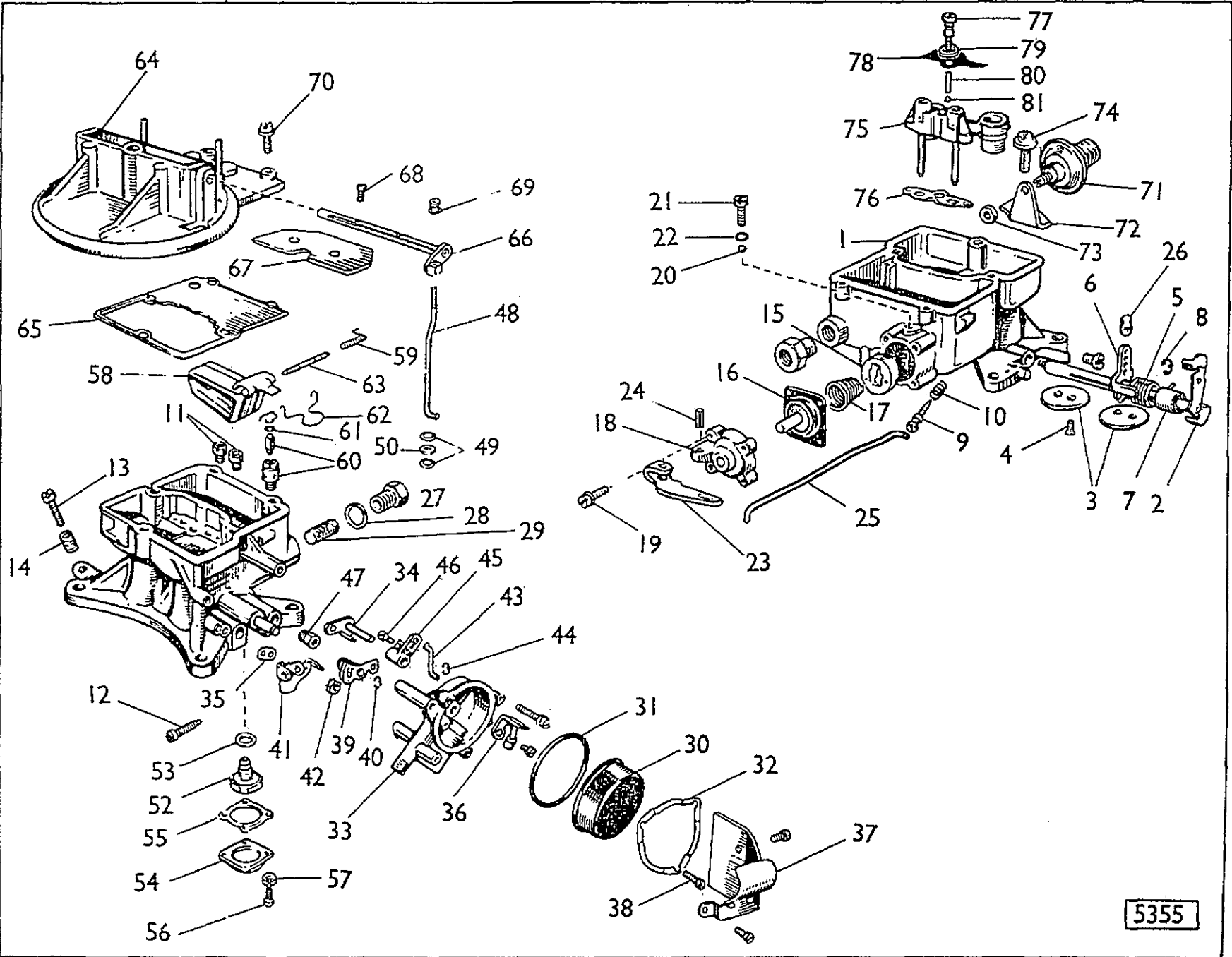


SECTION CF

CARBURETTOR

CARBURETTOR



SECTION CF

CARBURETTOR

Plate Ref.	Rootes Part Number	Ford Part Number	DESCRIPTION	No. per Veh.	REMARKS
	6100440 6100665	C4DZ-9510-A C4DZ-9510-C	CARBURETTOR (2 Barrel) CARBURETTOR (2 Barrel)	1 1	Up to B9470592 From B9470593
1			Main body assembly	1	Not supplied
2	6100340	B8AZ-9581-A	Shaft and lever	1	
3	6100341	B8A-9585-E	Plate	2	} Throttle
4	6100615	378361-S2	Screw—Plates to shaft	4	
5	6100450	B8AZ-9A538-A	Spring	1	
6	6100354	B8AZ-9919-A	Lever and bush	1	} Accelerator pump overtravel
7	6100455	C3AZ-9F569-A	Bush	1	
8	6100479	374035-S	Retainer—Pump overtravel lever to throttle shaft	1	
	6100355	377918-S8	Retaining ring, $\frac{1}{4}$ "—Lever to shaft	1	
		359409-S	Plug, $\frac{1}{8}$ "—Blanking main body	2	} Not supplied
		359353-S	Plug (to plug hole from bowl to accelerator pump)	1	
9	6100321	C1AE-9541-C	Needle—Idle adjusting	2	
10	6100337	B8A-9578-B	Spring—Fast idle adjusting lever ($\cdot 20^{\circ}$ I/D \times $\cdot 58^{\circ}$ long)	1	
11	6100313	C30Z-9533-G	Main metering jet—Tag code C4DF-E No. 44F—0 to 5000 ft. altitude	2	} See * below
	6100314	C30Z-9533-F	Main metering jet—Tag code C4DF-K/R No. 42F—0 to 5000 ft. altitude	2	
	6100314	C30Z-9533-F	Main metering jet—Tag code C4DF-T No. 42 F—0 to 5000 ft. altitude—	2	} See ** below From B9470593
	6100314	C30Z-9533-F	Main metering jet—No. 42F—5,000 to 10,000 ft. altitude	2	
	6100315	C30Z-9533-E	Main metering jet—No. 40F—5,000 to 10,000 ft. altitude	2	Up to B9470592
	6100315	C30Z-9533-E	Main metering jet—No. 40F—10,000 to 15,000 ft. altitude	2	From B9470593
	6100685	C30Z-9533-D	Main metering jet—No. 38F—10,000 to 15,000 ft. altitude	2	Up to B9470592
	6100316	C3AZ-9533-F	Main metering jet—Tag code C4DF-F No. 43F—0 to 5,000 ft. altitude	2	} See * below
	6100316	C3AZ-9533-F	Main metering jet—Tag code C4DF-JN No. 43F—0 to 5,000 ft. altitude	2	
	6100316	C3AZ-9533-F	Main metering jet—Tag code C4DF-S No. 43F—0 to 5,000 ft. altitude	2	} See ** below From B9470593
	6100317	C3AZ-9533-E	Main metering jet—No. 41F—5,000 to 10,000 ft. altitude	2	
	6100318	C3AZ-9533-H	Main metering jet—No. 39F—10,000 to 15,000 ft altitude	2	
12	6100451	C4AZ-9B538-A	Screw—Fast idle adjusting	1	
13	6100614	355107-S7	Screw—Normal idle adjusting—No. 10 \times 1" special hex. hd. slotted	1	
14		40-9578	Spring—Idle adjusting needle	1	Not supplied
15	6100333	C30Z-9F565-A	Filler—Accelerator pump cavity	1	Up to B9470592
16	6100327	C2AZ-9B559-A	Diaphragm—Accelerator pump	1	Up to B9470592
	6100688	C4AZ-9B559-A	Diaphragm—Accelerator pump	1	From B9470593
17	6100345	B8A-9636-A	Spring—Pump lever return	1	See * below
	6100696	B8AZ-9636-A	Spring—Pump lever return	1	From ** below & B9470593
18	6100308	B8A-9528-A	Cover—Accelerator pump—less link	1	Up to B9470592
	6100681	C4AZ-9528-A	Cover—Accelerator pump—less link	1	From B9470593
19	6100608	43255-S8	Screw and washer—Cover to carb (No. 8 \times $\frac{5}{8}$ ")	4	Up to B9470592
	6100682	379436-S8B	Screw and washer—Cover to carb (No. 8 \times $\frac{1}{8}$ ")	4	From B9470593
20	9187004	371350-S	Ball, $\frac{3}{8}$ " steel	1	} Up to B9470592
21	6100485	B8A-9575-A	Screw	1	
22	6100612	374818-S	Washer, $\frac{1}{2}$ " plain	1	} Accelerator pump check
	6100695	C4AZ-9576-A	Valve, plaster	1	
23	6100309	C0AE-9529-A	Link	1	From B9470593
	6100683	C3AZ-9529-C	Link } Accelerator pump	1	See * below
	6100684	C4AZ-9529-A	Link }	1	From B9470593

*For Carburetors with Stamping or Tag Identification C4DF-F.
**For Carburetors with Stamping or Tag Identification C4DF-N.

CARBURETTOR

Plate Ref.	Rootes Part Number	Ford Part Number	DESCRIPTION	No. per Veh.	REMARKS
CARBURETTOR—continued					
24	6100310	353847-S8	Pin—Accelerator pump link to cover (.187" x .50") ...	1	Up to B9470592
25	6100322	C0AZ-9B542-A	Rod—Accelerator pump link to throttle lever (Includes 5—375894-S7 clips) ...	1	Up to B9470592
26	6100686	C4AZ-9B542-A	Rod—Accelerator pump to overtravel lever ...	1	From B9470593
	6100484	375894-S7-8	Clip—Accelerator pump link to throttle lever rod to overtravel pump lever ...	1	
27	6100481	C1AZ-9599-A	Retainer—Pump link— 48" I/D (use with C2AZ-9564-B)	1	Up to B9470592
	6100305	C0AE-9A520-A	Adaptor ...	1	
28	6100303	C2AZ-9229-A	Gasket } Fuel inlet ...	1	
29	6100357	B7A-9938-A	Filler }	1	
30	6100349	C4AZ-9848-A	Cover—Choke thermostat (identified by letters "TN")— Service package includes 1-C1AE-9871-A Gasket—Tag code C4DF-E ...	1	
	6100694	C4AZ-9848-A	Cover—Choke thermostat (identified by letters "TO")— Service package includes 1-C1AE-9871-A Gasket—Tag codes C4DF-K/R ...	1	See ** below
	6100349	C4AZ-9848-A	Cover—Choke thermostat (identified by letters "TN")— Service package includes 1-C1AE-9871-A Gasket—Tag codes C4DF-J/N ...	1	From B9470593
	6100694	C4AZ-9848-B	Cover—Choke thermostat (identified by letters "TO")— Service package includes 1-C1AE-9871-A Gasket—Tag code C4DF-T ...	1	
	6100349	C4AZ-9848-A	Cover—Choke thermostat (identified by letters "TN")— Service package includes 1-C1AE-9871-A Gasket—Tag code C4DF-S ...	1	
31	6100353	C1AE-9871-A	Gasket } Thermostat ...	1	
32	6100348	C4AZ-9842-A	Clamp ... } choke housing ...	1	
	6100336	C4AZ-9A575-A	Housing assembly } Choke ...	1	
33	6100350	C4AZ-9849-A	Housing and plugs }	1	
34	6100346	C1AZ-9A753-A	Shaft and lever—Choke housing ...	1	
35	6100351	B8A-9853-A	Gasket—Thermostatic choke housing ...	1	
36	6100347	C4AZ-9840-A	Piston assembly—Choke ...	1	
	6100692	C4AZ-9F577-A	Lever—Fast idle cam (Nylon) ...	1	
37	6100352	C4AZ-9861-A	Shield—Choke thermostat ...	1	
38	6100545	C3AZ-9B874-A	Screw—Thermostatic choke housing cover ...	3	
	6100691	378547-S7-8	Screw—Choke housing to main body (No. 8 1-76") ...	3	
39	6100343	C4AZ-9597-A	Cam } Fast ...	1	See * below
	6100693	C4GY-9597-A	Cam } idle ...	1	From ** below & B9470593
40	6100312	351825-S	Retainer—Fast idle cam ("C" washer) ...	1	
41	6100320	C4AZ-9538-A	Lever—Fast idle adjusting ...	1	
42	6100609	34079-S7	Nut ... } Lever to ...	1	
	6100610	34903-S8	Lock washer, No. 10 } throttle shaft ...	1	
	6100329	B9A-9579-A	Pin—Fast idle adjusting lever ...	1	
43	6100311	C4AZ-9D530-A	Rod—Fast idle cam ...	1	
44	6100312	351825-S	Retainer—Fast idle cam rod ...	2	
45	6100320	C4AZ-9538-A	Overtravel lever ...	1	
46	6100673	372216-S	Adjusting screw—Overtravel lever ...	1	
47	6100486	358165-S	Connector Distributor vacuum tube to carb ...	1	See * below
48	6100344	C4AZ-9A599-A	Rod—Choke control ...	1	
49	6100480	C4AZ-9C771-A	Washer—Choke rod seal ...	2	
50		B7AZ-9B501-A	Seal—Choke rod ...	1	Not supplied

*For Carburetors with Stamping or Tag Identification C4DF-F.

**For Carburetors with Stamping or Tag Identification C4DF-N.

CARBURETTOR

Plate Ref.	Rootes Part Number	Ford Part Number	DESCRIPTION	No. per Veh.	REMARKS
			CARBURETTOR—continued		
52	6100332	C3AZ-9A565-B	Economizer (identified by black dye on body)	1	
53	6100342	C2AZ-9A588-B	Gasket—Economizer	1	
54	6100356	B7A-9930-A	Cover—Economizer valve	1	
55	6100329	B7A-9563-A	Gasket—Economizer cover	1	
56	6100616	31061-S8	Screw ... } Cover to	4	
57	6100617	34802-S7	Lock washer } main body	4	
	6100458	C20Z-9741-B	Bracket—Accelerator return spring	1	
58	6100324	C3AZ-9550-C	Float and lever assembly	1	
59	6100335	C3AZ-9F570-A	Spring—Float dampener	1	
60	6100331	C2AZ-9564-B	Valve and seat } Fuel	1	See * below
	6100690	C2AZ-9564-D	Valve and seat } inlet	1	See ** below
61	6100334	B7A-9569-A	Gasket—Float valve seat	1	
62	6100483	B7AZ-9599-A	Retainer—Float lever shaft	1	
63	6100326	B8A-9558-A	Pin—Float hinge	1	
64	6100307	C30Z-9524-B	Float chamber cover and air horn (less shaft)	1	See * below
	6100680	C30Z-9524-J	Float chamber cover and air horn (less shaft)	1	See ** below
65	6100328	C20Z-9561-A	Gasket } Float	1	See * below
	6100689	C20Z-9561-B	Gasket } bowl	1	See ** below
66	6100323	C4AZ-9546-A	Shaft and lever }	1	See * below
	6100687	C4MY-9546-A	Shaft and lever } Choke	1	See ** below
67	6100452	C2AZ-9545-A	Plate	1	
68	6100601	378360-S2	Screw—Choke plate (No. 6 × .31" pan hd.)	2	
69	6100544	C4AZ-9D564-A	Nut—Choke plate adjusting	1	
70		43256-S8	Screw and washer—Float chamber cover to main body (No. 10 × ½")	4	Not supplied
71	6100453	C1AZ-9B549-A	Dashpot	1	
72	6100454	B8AZ-9B550-A	Bracket—Dashpot mounting	1	
73	6100571	33923-S7	Nut, ⅜" ... } Dashpot to	1	
	6100562	34806-S7	Lock washer, ⅜" } bracket	1	
74	6100611	43252-S8	Screw and washer—Dashpot mounting bracket to carb (No. 10 × ¼")	1	
75	6100306	C3DZ-9A523-C	Support—Booster venturi (identified by letter "H")	1	See * below
	6100679	C3AZ-9A523-F	Support—Booster venturi (identified by letters "CA")	1	See ** below
76	6100319	B8AZ-9A536-A	Gasket—Booster venturi support	1	
77	6100456	C0AZ-9577-A	Screw—Pump discharge nozzle	1	
78	6100325	C3MY-9F553-A	Plate—Air distribution	1	
79	6100613	374370-S	Washer, ⅜" plain—Buna coated aluminium	1	
80	6100543	C20Z-9B511-A	Weight, ⅜" O/D--88" long—Pump discharge ball	1	
81	9187004	371350-S	Ball, ⅜" steel—Accelerator pump discharge valve	1	
	6100300	C20Z-9502-B	GASKET SET	1	See * below
	6100676	C20Z-9502-C	GASKET SET	1	See ** below
	6100301	C3AZ-9A586-B	TUNE-UP KIT	1	Up to B9470592
	6100677	C4DZ-9A586-A	TUNE-UP KIT	1	From B9470593
	6100302	C3AZ-9590-C	REPAIR KIT	1	See * below
	6100678	C4DZ-9590-A	REPAIR KIT	1	See ** below

*For Carburetors with Stamping or Tag Identification C4DF-F.

**For Carburetors with Stamping or Tag Identification C4DF-N and from Chassis Number B9470593.