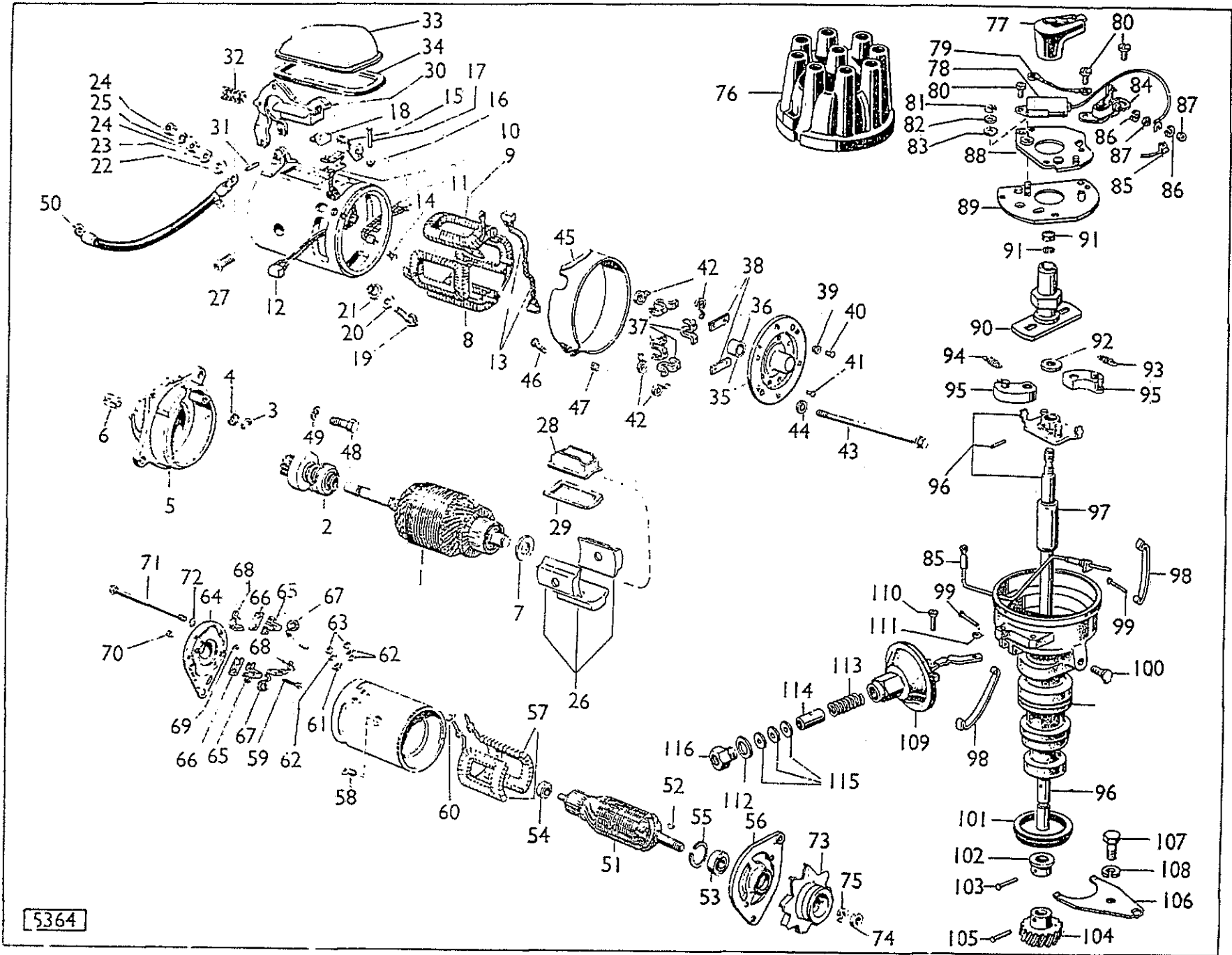


SECTION WF

ELECTRICAL EQUIPMENT



5364

SECTION WF
2nd Issue

ELECTRICAL EQUIPMENT

Plate Ref.	Rootes Part Number	Ford Part Number	DESCRIPTION	No. per Veh.	REMARKS
INSTRUMENTS					
	1224697		SPEEDOMETER (M.P.H.) SN5321/08	1	
	1224698		SPEEDOMETER (K.P.H.) SN5321/09	1	
	5042331		Trip return flex 41-118-101-08	1	
	1224679		REVOLUTION COUNTER (Impulse) RV1/2012/00A Speedometer cable—see Gearbox (Transmission) Section.	1	
VOLTAGE REGULATOR					
	6100047	C2AF-10505-A	VOLTAGE REGULATOR—15v. 30 amp.	1	
	1224873		Mounting plate—Voltage regulator	1	
	39213081		Screw, No. 10 × ½" csk. cross recess	6	} Voltage regulator fixing
	9663121		Washer, ⅜" shakeproof	6	
	9067009		Washer, ⅜" plain	6	
SWITCHES					
	6100035	C4AF-11450-A-B	Starter relay	1	
	19504051		Bolt, ¼" UNF. × ⅜" hex.	2	} Starter solenoid fixing
	5220722		Washer, ¼" spring	2	
	9510040		Nut, ¼" UNF.	2	
PETROL (Fuel) PUMP					
Petrol (Fuel) Pump (Electric)—See Section BF.					

ELECTRICAL EQUIPMENT

Plate Ref.	Rootes Part Number	Ford Part Number	DESCRIPTION	No. per Veh.	REMARKS
			STARTER MOTOR		
			STARTER MOTOR	1	
1	6100364	C20Z-11002-A	STARTER MOTOR	1	
	6100365	C20Z-11005-A	Armature	1	
2	6100366	C20Z-11350-A	Drive assembly	1	
3	6100369	C2DZ-11222-A	Retainer—Drive stop	1	
4	6100375	C2DZ-11223-A	Retainer—Drive ring	1	
5	6100373	C20Z-11130-A	Housing—Rear (Driving end bracket)	1	
6	6100374	CODZ-11135-A	Bearing (Bush)—Housing	1	
7	6100385	CODZ-11036-A	Thrust washer—Armature shaft	1	
8	6100389	C20Z-11082-B	Coil assembly—Complete	1	
9		C20Z-11083-D	Coil assembly—Actuating	1	Not supplied
10	6100396	C20Z-11134-A	Spring assembly—Contact	1	
11		18-11056	Brush assembly—Ground (Earth)	1	
12		CODF-11056-B	Brush assembly—Service	1	} Not supplied
13		CODF-11055-A	Brush assembly—Insulator	1	
14		25231-S	Screw, No. 10—Brush—Ground (Earth)	2	
15	6100393	C20Z-11176-A	Post assembly—Contact	1	
16	6100379	CODF-11068-A	Insulator—Switch	A/R	
17		358755-S	Rivet—Insulator to contact post	1	Not supplied
18	6100392	C20Z-11181-A	Insulator—Switch spring	1	
19	6100397	CODF-11102-B	Terminal (Post)—Field	1	
20		B5A-11093-A	Washer	1	} Not supplied
21		11107A	Insulator (Bush)	1	
22	6100399	18-11094-B	Washer	1	
23		B5A-11095-A	Washer	1	} Not supplied
24	6100571	33923-S	Nut, 1/8"	2	
25	6100646	34806-S	Washer, 1/8" lock	1	
26			Pole shoes		} Not supplied
27		68-10044	Screw—Pole shoes	3	
28	6100395	CODF-11105-A	Sleeve } Coil	1	
29		CODF-11106-A	Flange } retainer	1	} Not supplied
30		CODF-11067-B	Plunger (actuating lever)	1	
31		73266-S	Pin, 1/4" x 3/8"—Plunger to yoke	1	
32	6100383	C1VF-11103-A	Spring } Plunger	1	
33	6100370	CODF-11060-C	Cover }	1	
34	6100372	CODF-11065-A	Gasket—Plunger cover	1	
35	6100377	C30Z-11049-A	Plate assembly—Brush end (C.E. bracket)	1	
36	6100472	18-11052	Bearing (Bush)—Front plate (C.E. bracket)	1	
37			Brush holder		} Not supplied
38		B11062	Insulator—Brush holder	2	
39			Insulator—Rivet	4	
40			Rivet—Insulator	4	
41			Rivet—Ground (Earth)	4	
42		B11059	Spring—Brush holder	4	
43	6100382	C3AZ-10120-A	Through bolt	2	
44	6100647	34801-S7	Washer, 1/4" lock—Through bolt	2	
45		CODF-11126-A	Band—Cover	1	Not supplied
46	6100644	27177-S	Screw, No. 10 } Band	1	
47	6100637	34141-S	Nut, No. 10 }	1	
48			Bolt ... } Starter } See Engine (Motor)		
49			Lockwasher } fixings } Section		
50			Cable—Starter Solenoid to Starter Motor—See Cables and Grommets.		

ELECTRICAL EQUIPMENT

Plate Ref.	Rootes Part Number	Ford Part Number	DESCRIPTION	No. per Veh.	REMARKS
DYNAMO (Generator)					
	6100459	CITZ-10002-A	DYNAMO (Generator)—Less Pulley	1	
51	6100461	CITZ-10005-A	Armature	1	
52	6100632	74175-S	Key—Armature	1	
53	6100473	A8AZ-10094-A	Bearing—Front (D.E. bracket)	1	
54	6100474	B6A-10095-B	Bearing—Rear (C.E. bracket)	1	
55	6100475	O1A-10163	Ring—Bearings	2	
56	6100463	B6A-10139-B	Plate—Drive end (D.E. bracket)	1	
57	6100464	B9A-10175-A	Field coil	1	
			Pole shoes		} Not supplied
58			Screw—Pole shoes		
59	6100478	O1A-10211	Terminal—Plate—Brush end (C.E. bracket)	1	
60	6100477	81A-10208	Insulator—Field coil	1	
61	6100476	81A-10206	Bushing	1	
62		34079-S	Washer	3	} Not supplied
63		44716-S	Nuts } Terminals	2	
64	6100462	C3AZ-10050-A	Plate—Brush end	1	
65			Brush holder		} Not supplied
66			Insulator plate		
67	6100466	CIVF-10057-A	Spring—Brushes	2	
68	6100465	C1AF-10069-A	Brush	2	
69	6100633	18-10088	Rivet	1	
70	6100468	C2SZ-10202-A	Insulator—Brush end plate	1	
71	6100382	C3AZ-10120-A	Through bolt	2	
72		34805-S	Washer—Through bolt	2	} Not supplied
	6100467	CIDZ-10040-A	Brush arm	2	
73	6100460	C20F-10130-A	Pulley (Single sheave)	1	
74	6100630	351124-S	Locknut, $\frac{1}{8}$ " } Pulley	1	
75	6100631	351496-S	Lockwasher } to shaft	1	
IGNITION					
	6100406	C40Z-12127-A	DISTRIBUTOR—Centrifugal and Vacuum	1	
76	6100407	B7A-12106-A	Top cover	1	
77	6100408	B7A-12200-A	Rotor	1	
78	6100431	B7A-12300-C	Condenser	1	
79	6100430	B9AF-12264-A	Cable—Distributor breaker	1	
80	6100429	B7A-12230-A	Screw—Breaker	3	
81	6100312	351825-S	"C" washer	1	
82	6100651	372396-S	Washer, $\frac{3}{8}$ " plain	1	
83	6100650	372395-S	Washer, spring	1	
84	6100416	B8Q-12171-A	Arm and bracket—Point set	1	
85	6100428	C20Z-12216-A	Primary assembly—Distributor terminal	1	
86	6100647	34801-S7	Lockwasher } Primary assembly	2	
87	6100649	34051-S8	Nut, No. 6 } to condenser	2	
88	6100415	B9AF-12151-B	Plate—Breaker—Upper	1	
89	6100414	B9AF-12151-A	Plate—Breaker—Lower	1	
90	6100427	COTF-12210-B	Cam	1	
91	6100418	B7A-12177-A	Retainer—Cam	1	
92	6100419	B7A-12179-A	Thrust washer—Distributor shaft upper	1	

ELECTRICAL EQUIPMENT

Plate Ref.	Rootes Part Number	Ford Part Number	DESCRIPTION	No. per Veh.	REMARKS
			IGNITION—continued		
			DISTRIBUTOR—continued		
93		B7A-12191-A	Spring—Distributor weight—Secondary	1	Not supplied
94	6100422	B8QH-12192-A	Spring—Distributor weight—Primary	1	
95	6100420	B7A-12188-A	Weight assembly	2	
96	6100417	B8A-12175-A	Shaft assembly	1	
97	6100411	B8QH-12120-A	Bushing	1	
98	6100413	B7A-12144-A	Clamp—cover	2	
99		B-12145	Rivet—Clamp	2	} Not supplied
100		B6A-10141-A	Cup—Oil	1	
101	6100412	B9TF-12143-A	Seal—Distributor base	1	
102		7HA -12195	Collar—Distributor shaft	1	} Not supplied
103		61489-S	Pin—Collar	1	
104	6100434	C20F-12390-A	Gear—Distributor drive	1	
105		61489-S	Pin—Gear	1	Not supplied
106	6100409	C3AZ-12270-A	Clamp—Distributor to block	1	
107		20386-S	Bolt } Clamp to	1	} Not supplied
108	6100646	34806-S	Washer } block	1	
109	6100433	B9AF-12370-A	Diaphragm	1	
110		43243-S	Screw—Diaphragm lever	1	} Not supplied
111		351826-S	Washer—Diaphragm lever to upper plate	1	
112		B7A-12320-A	Gasket } Diaphragm	1	
113	6100425	B7AZ-12192-B	Spring } Diaphragm	1	
114	6100424	C4AZ-12202-A	Stop—Distributor vacuum advance	1	
115			Washer—Packing	3	Not supplied
116	6100470	359546-S	Connector	1	
	6100401	B6A-12029-B	IGNITION COIL	1	
	6100402	B85-12043-A	Strap	1	
	6100030	B7A-12250-A	Resistor	1	} Ignition coil
	6100404	C3AZ-12298-C	Suppressor	1	
	6100027	B6P-14495-B	Cable—Coil to resistor	1	
	6100405	B8A-12405-A	SPARKING PLUG	8	
	6100403	C30Z-12259-H11	High tension cable set—Spark plug	1	
	1224844		BATTERY—67 amp/hr. Type BVZ 11A—Lucas 54028420		
			Battery manifold breather tube c/w 6 plugs ... 54285582	1	
			Battery tray—See body fittings.		
			FUSE UNIT FIXINGS		
	39413101		Screw, No. 10 × 1/4"	1	
	9772086		Tapping screw, No. 6 × 1/4"	1	
	9663121		Washer 3/8" shakeproof	1	
	5220700		Nut, No. 10 U.N.F.	1	
			HORNS		
	1224772		HORN—Low note	1	
	1224773		HORN—High note	1	

ELECTRICAL EQUIPMENT

Plate Ref.	Rootes Part Number	Ford Part Number	DESCRIPTION	No. per Veh.	REMARKS
CABLES AND GROMMETS					
	1224695		Body Harness 54935830	1	
	1229824		Chassis Harness—R.H.D. 54936353	1	
	1224863		Chassis Harness—L.H.D. 54935944	1	
	1224865		Cable—Starter solenoid to starter 54935946	1	
	1224864		Cable—Battery positive to starter solenoid 54935945	1	
	1224866		Cable—Battery negative to earth 54935947	1	
	1224867		Cable—Engine (Motor) earth 54935948	1	
	9118533		Grommet—Speedometer cable	1	
	9118535		Grommet—Battery cable	1	
	9179042		Clip—Chassis harness—R.H.D.	1	